




TECHNICAL GUIDE





M65, A5 & A4

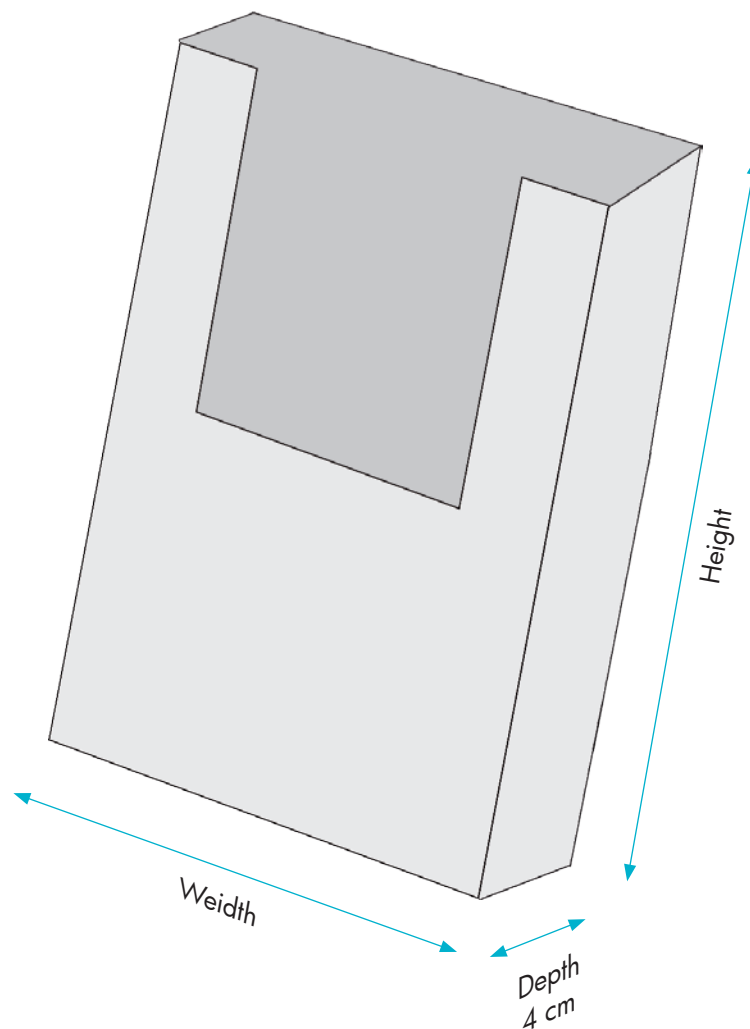


M65 DOUBLE

 Brochure holder made of transparent acrylic material, injection moulded. For wall mounting.

 Prospekthalter aus transparenten spritzguss-geformten Acryl hergestellt. Für Wandmontage.

 Brochureholder produceret i transparent sprøjtstøbt akryl. Til vægophæng.



M65, A5 & A4



Art. no.	Capacity	Colour	Total W x H x D	Package size and weight	Pallet size and quantity
2720	10,5 x 21 cm M65	Transparent	11,2 x 16,5 x 4 cm	48 x 64 x 21 cm (60 pcs.) 0,2 kg	80 x 125 x 180 cm 1350 pcs.
2721	14,8 x 21 cm A5	-	16,1 x 16,5 x 4 cm	54 x 64 x 19 cm (45 pcs.) 0,3 kg	80 x 120 x 180 cm 945 pcs.
2722	21 x 29,7 cm A4	-	22,4 x 24,9 x 4 cm	52 x 63 x 25 cm (30 pcs.) 0,4 kg	80 x 120 x 180 cm 450 pcs.
2723	10,5 X 21 cm M65 x 2	-	22,2 x 16,5 x 4 cm	48 x 64 x 21 cm (30 pcs.) 0,4 kg	84 x 120 x 180 cm 675 pcs.